



Level Monitor for Bulk



measuring
•
monitoring
•
analysing

NSV



- Special lengths up to max. 3000 mm
- No calibration necessary
- Insensitive against moisture
- Compact installation
- Stainless steel fork 1.4305
- Relay output
- Suitable for low bulk densities from 60 g/L
- For ATEX-applications



KOBOLD companies worldwide:

ARGENTINA, AUSTRIA, BELGIUM, BULGARIA, CANADA, CHILE, CHINA, COLUMBIA, CZECHIA, DOMINICAN REPUBLIC, EGYPT, FRANCE, GERMANY, GREAT BRITAIN, HUNGARY, INDIA, INDONESIA, ITALY, MALAYSIA, MEXICO, NETHERLANDS, PERU, POLAND, ROMANIA, SINGAPORE, SOUTH KOREA, SPAIN, SWITZERLAND, TAIWAN, THAILAND, TUNISIA, USA, VIETNAM

KOBOLD Messring GmbH
Nordring 22-24
D-65719 Hofheim/Ts.
Head Office:
+49(0)6192 299-0
+49(0)6192 23398
info.de@kobold.com
www.kobold.com



Description

The level monitor model NSV has decisive advantages, especially with bulk goods with low bulk density. Vibrations are induced in a stainless steel fork by a piezoelectric crystal. If the medium comes into contact with the vibrating fork, this vibration is damped. This damping is detected in a pluggable evaluation module and transformed into a potential-free limit contact.

In addition to the standard version NSV-8200, the devices can also be provided for vertical installation with an extended neck pipe (NSV-8201). The maximum length of the neck pipe is 3000 mm. The plug-in evaluation module can be changed easily so that the devices are really easy to maintain.

Operation can be set for maximum or minimum security by means of a selector switch (A and B). The respective switching status of the relay is indicated by a LED.

Decisive advantages of the level monitor NSV

- No calibration necessary
- Suitable for low bulk den
- Insensitive against moisture
- Stainless steel sensor

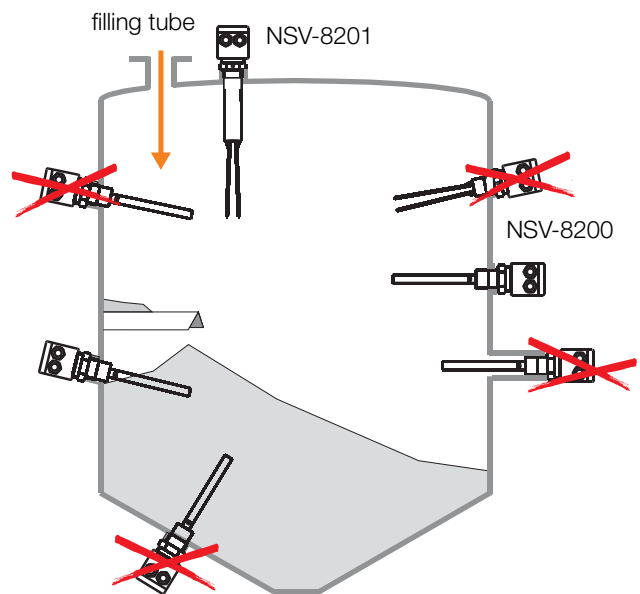
Application areas

- Grain
- Plastic granulate
- Cement
- Flour
- Sugar
- Food
- Animal feed

Technical Details

| | |
|--------------------------|--|
| Measuring principle: | vibration |
| Max. Immersion length: | 3000 mm |
| Medium temperature: | -20 to +80°C |
| Ambient temperature: | -20 to +60°C |
| Minimum density of bulk: | 60 g/L |
| Fork material: | stainless steel (1.4305) |
| Housing material: | Polycarbonate, 350° turnable |
| Mechanical connection: | G 1½, stainless steel (1.4305) |
| Electr. connection: | via 1 (2) cable gland |
| Supply voltage: | 24, 110, 230 V _{AC} 50/60 Hz or 18...36 V _{DC} |
| Maximum power input: | 1 VA |
| Relay output: | max. 250 V _{AC} , 1A |
| Protection: | IP 65 |
| ATEX-marking: | II 1/2 D Ex tDA20/21 IP 65 T85°C -20 °C ≤ Ta ≤ +60 °C |

Installation



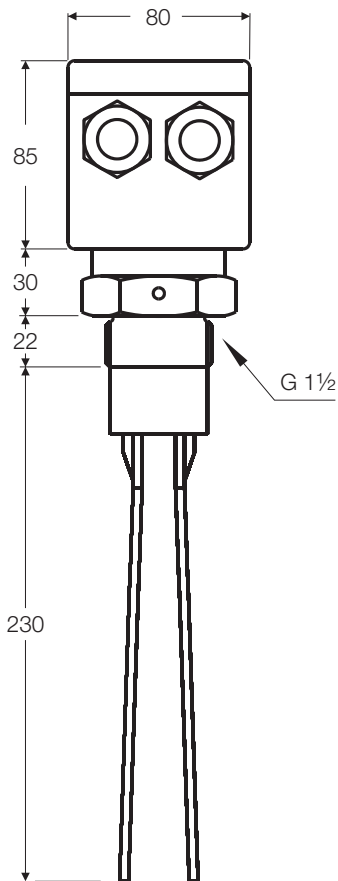
Order Details (Example: NSV-8 2 00 G8 0 0)

| Model | Version | Material | Immersion length* | Mechanical connection | ATEX | Supply voltage |
|-------|--------------|---------------------------|--|-----------------------|-------------------------|---|
| NSV- | 8 = standard | 2 = stainless steel 1.405 | 00 = standard, short version 01 = extended version (max. 3 m) | G8 = G 1 1/2 | 0 = without E = ATEX | 0 = 230 V _{AC} 2 = 24 V _{AC} 3 = 18...36 V _{DC} 4 = 110 V _{AC} |

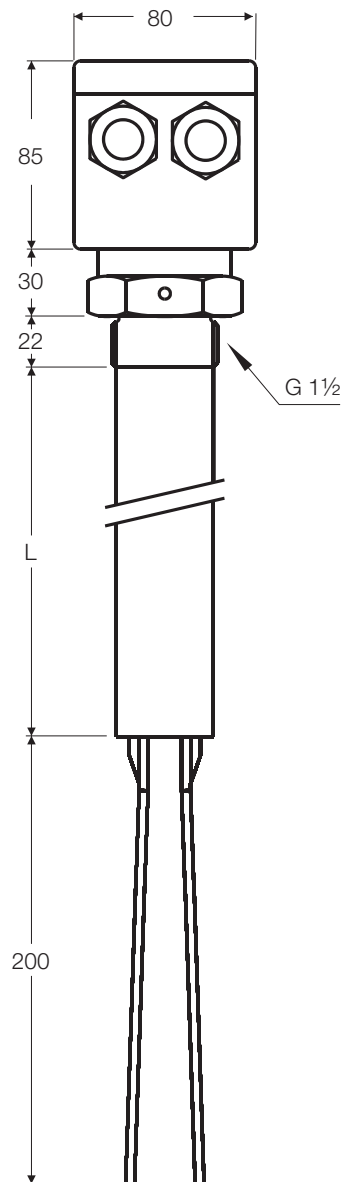
* Einbaulänge «L» bitte im Klartext angeben

Dimensions (in mm), Standard version

NSV-8200

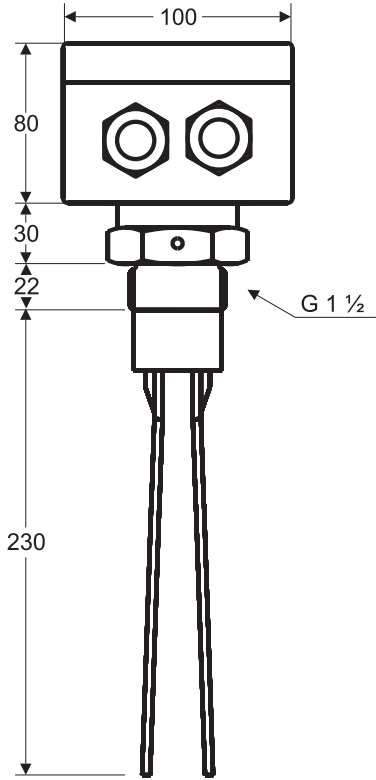


NSV-8201



Dimensions (in mm), ATEX version

NSV-8200G8E0



NSV-8201G8E0

