



Low Volume Variable Area Flow Meters

for Liquids and Gases



measuring
•
monitoring
•
analysing



- Measuring ranges:
Water 0.07-0.55 L/min
2-22 L/min
Air 5-50 L/min
1-12 L/s
- Accuracy: $\pm 2\%$ f. s.
- p_{\max} 10 bar, t_{\max} 60°C
- Connection: R $\frac{1}{4}$... R $\frac{3}{4}$
- Material: Grilon



KOBOLD offices exist in the following countries:

ARGENTINA, AUSTRIA, BELGIUM, BRAZIL, CANADA, CHINA,
FRANCE, GERMANY, GREAT BRITAIN, ITALY, MEXICO, NETHER-
LANDS, PERU, POLAND, SWITZERLAND, USA, VENEZUELA

KOBOLD Messring GmbH
Nordring 22-24
D-65719 Hofheim/Ts.
☎ +49(0)6192 299-0
Fax +49(0)6192 23398
E-Mail: info.de@kobold.com
Internet: www.kobold.com

Model:
KLF



Method of Operation

The KOBOLD flow meters of model KLF operate on the suspended float principle. The instruments serve to measure flow rates in closed piping. The media flows, from below, through a plastic conical measuring tube. This raises the float and the flow rate can be read off against the scale. The indication point is the upper edge of the float.

Areas of Application

- Pharmaceutical industry
- Filter systems
- Medical engineering
- Laboratory
- Pollution monitoring

Technical Details

- Housing with connections: Grilon (TR55)
- Housing back cover: ABS 7020
- Float seat: ABS 7020
- Contrast foil: PVC
- Float material: see Order Details
- Max. operating pressure: 10 bar
- Max. operating temperature: 60 °C
- Accuracy: ± 2 %
- Repeatability: ± 1 %
- Calibration data air: 20 °C; 1 bar abs.
- Calibration data water: spec. weight 1.0 g/cm³

Variations in pressure, temperature and density with gases, variations in viscosity, density and temperature with liquids lead to measuring errors. The specified calibration data should therefore be observed.

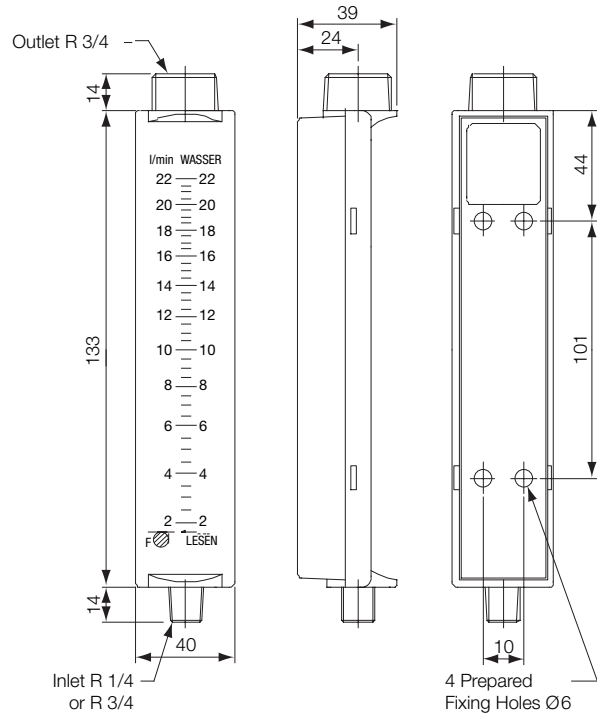
Installation

The flow meter must be installed vertically and free of stress. Flow is from bottom to top.

Reducing or extending piping upstream or downstream of the measuring instrument has only a negligible effect on the measuring accuracy.

Dimensions

Connection R 1/4 or R 3/4



Order Details

Model	Medium	Measuring range L/min	Connection inlet male	Float material
KLF-18H01	Water	0.07 - 0.55	R 1/4	VA (1.4404)
KLF-18H02	Water	0.2 - 2.0	R 3/4	Acetate
KLF-18H03	Water	1.5 - 10.0	R 3/4	VA (1.4404)
KLF-18H04	Water	2.0 - 22	R 3/4	VA (1.4404)
KLF-18L03	Air	5 - 50.0	R 3/4	Acetate
KLF-18L04	Air	20 - 135.0	R 3/4	Acetate
KLF-18L05	Air	1 - 5.5 L/s	R 3/4	VA (1.4404)
KLF-18L06	Air	1 - 12.0 L/s	R 3/4	VA (1.4404)