



Rotating Vane Flow Indicators for Fluids



measuring
•
monitoring
•
analysing



- Indications range:
0.2-0.5 ... 1-50 L/min water
- p_{\max} 16 bar, t_{\max} 80 °C
- Materials:
brass, stainless steel, POM



KOBOLD companies worldwide:

ARGENTINA, AUSTRIA, BELGIUM, CANADA, CHILE, CHINA, CZECHIA,
FRANCE, GERMANY, GREAT BRITAIN, INDIA, INDONESIA, ITALY,
MALAYSIA, MEXICO, NETHERLANDS, POLAND, SINGAPORE, SLOVAKIA,
SPAIN, SWITZERLAND, THAILAND, USA, VENEZUELA, VIETNAM

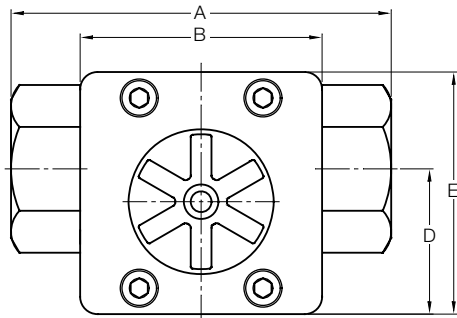
KOBOLD Messring GmbH
Nordring 22-24
D-65719 Hofheim/Ts.
☎ +49(0)6192 299-0
Fax +49(0)6192 23398
E-Mail: info.de@kobold.com
Internet: www.kobold.com

Model:
DIH

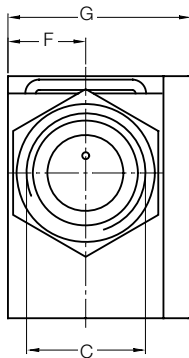
Materials

	DIH-11	DIH-12	DIH-13
Housing:	nickel plated brass (CuZn39Pb3 nickel plated)	stainless steel (1.4404)	POM
Cover:	PMMA (Plexi)	PMMA (Plexi)	PMMA (Plexi)
Seals:	NBR	FPM	NBR
Rotor:	PP	PP	PP
Axle:	ceramic	ceramic	ceramic
p _{max} :	16 bar	16 bar	16 bar
t _{max} :	80 °C	80 °C	80 °C

Dimensions



	up to DIH-..05HR10	from DIH-..06HR25
A	84	110
B	60	70
C	G 3/8	G 1
D	40	42
E	60	70
F	19.5	22.5
G	41.5	53



Order Details (Example: DIH-1101H R10)

Indication range		Model			Connection	
[L/min] Water	Δ P [bar]*	DIH-11..	DIH-12..	DIH-13..	G 3/8	G 1
0.2...0.5	1	DIH-1101H..	DIH-1201H..	DIH-1301H..	R10	-
0.3...2	1	DIH-1102H..	DIH-1202H..	DIH-1302H..	R10	-
0.5...5	1	DIH-1103H..	DIH-1203H..	DIH-1303H..	R10	-
1...12	1	DIH-1104H..	DIH-1204H..	DIH-1304H..	R10	-
1...18	1	DIH-1105H..	DIH-1205H..	DIH-1305H..	R10	-
1...22	1	DIH-1106H..	DIH-1206H..	DIH-1306H..	-	R25
1...35	1	DIH-1107H..	DIH-1207H..	DIH-1307H..	-	R25
1...50	1	DIH-1108H..	DIH-1208H..	DIH-1308H..	-	R25

*at max. flow