

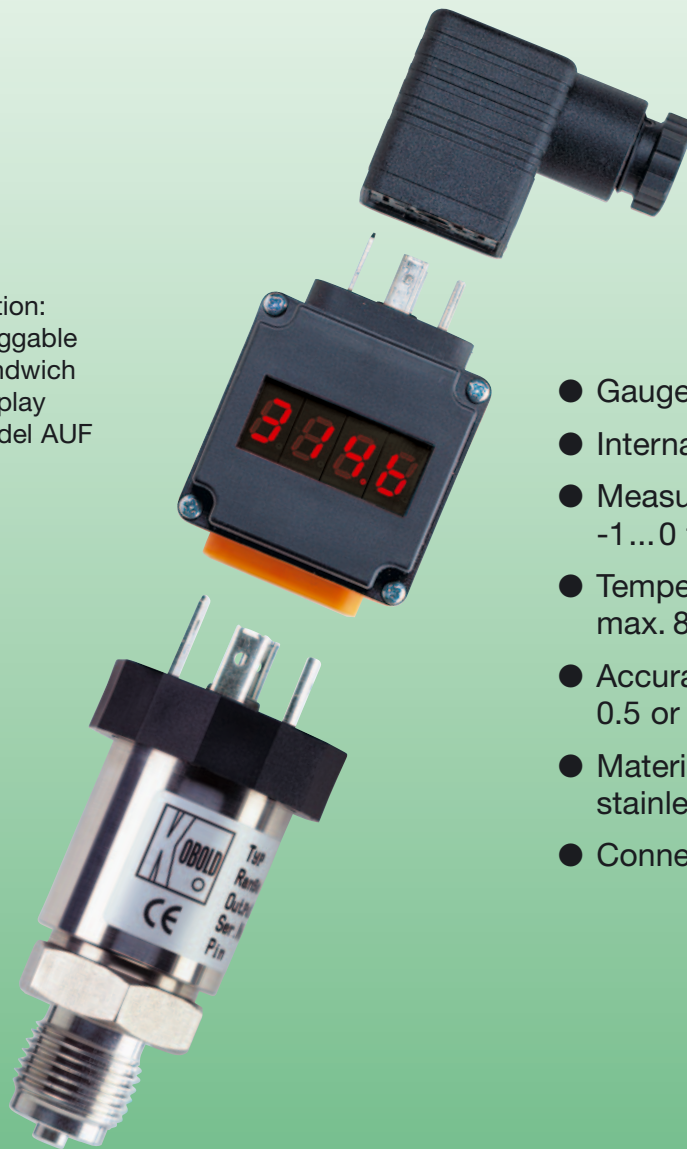


Pressure Sensor with Ceramic Sensor Element



measuring
•
monitoring
•
analysing

Option:
Pluggable
Sandwich
Display
Model AUF



- Gauge pressure
- Internal diaphragm
- Measuring range:
-1...0 to 0...600 bar
- Temperature (medium):
max. 85 °C
- Accuracy class:
0.5 or 1.0
- Material:
stainless steel and ceramic
- Connection: G 1/2 male



KOBOLD companies worldwide:

ARGENTINA, AUSTRIA, BELGIUM, CANADA, CHILE, CHINA, COLOMBIA,
CZECHIA, FRANCE, GERMANY, GREAT BRITAIN, INDIA, IRAN, INDONESIA,
ITALY, MALAYSIA, MEXICO, NETHERLANDS, PERU, POLAND, SINGAPORE,
SLOVAKIA, SPAIN, SWITZERLAND, THAILAND, USA, VENEZUELA, VIETNAM

KOBOLD Messring GmbH
Nordring 22-24
D-65719 Hofheim/Ts.
☎ +49(0)6192 299-0
Fax +49(0)6192 23398
E-Mail: info.de@kobold.com
Internet: www.kobold.com

Model:
SEN-86



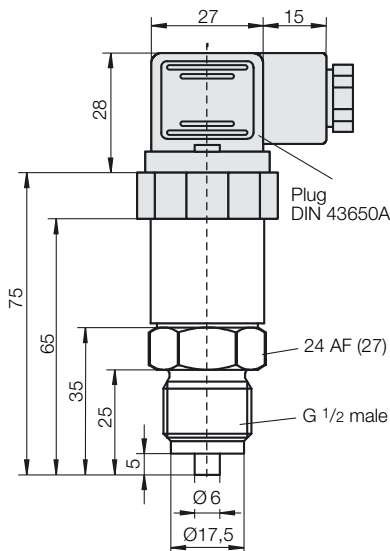
Description

KOBOLD Pressure sensors model SEN-86 are inexpensive pressure sensors with thick film ceramic pressure element. With their accuracy, reliability and compact design, they are perfectly suitable for OEM applications in medium to high quantities.

The materials and technology used make these pressure sensors insensitive to chemically aggressive media and mechanical load.

Particularly hydraulics systems with their high and fast pressure peaks are thus preferred applications.

Dimensions



Applications

- Plant engineering
- Environmental engineering
- Machine Building
- Cooling circuit

Technical Data

Technology: internal diaphragm
 Pressure type: gauge pressure
 Housing: stainless steel 1.4305
 Connection: G 1/2 male stainless steel 1.4301 (NPT, UNF on request)
 Sensor element: ceramic (Al₂O₃)
 Measuring principle: thick film techn. (DMS)
 O-Ring: NBR
 Max. Temperature: storage: -40...+100°C
 medium: -20...+85°C
 ambient: -40...+85°C
 Pressure limitation: < 60 bar: 2 x range
 > 60 bar: 1.5 x range
 Accuracy class: SEN-86*0: 0.5
 SEN-86*1: 1.0
 Repeatability: SEN-86*0: ≤ ± 0.15 % (f.s.d.)
 SEN-86*1: ≤ ± 0.3 % (f.s.d.)
 Characteristic deviation: SEN-86*0: ≤ ± 0.3 % (f.s.d.)
 SEN-86*1: ≤ ± 0.6 % (f.s.d.)
 Stability (annual): ≤ ± 0.2 % of full scale in rated conditions
 Electrical connection: plug DIN 43 650 A / plug M12x1
 cable connection
 Power supply: 15...32 V_{DC}
 Output signal: 4 - 20 mA (2-wire), 0 - 5 V_{DC},
 0 - 10 V_{DC}
 Load (Ω): ≤ (U_B - 15 V)/0.02 A (for 4 - 20 mA)
 Response time: ≤ 1 ms (within 10 - 90 % of full scale)
 Temp. comp. range: - 25...+85 °C
 Temperature drift: zero point:
 SEN-86*0: ≤ ± 0.02 % K
 SEN-86*1: ≤ ± 0.04 % K
 span:
 SEN-86*0: ≤ ± 0.01 % K
 SEN-86*1: ≤ ± 0.02 % K
 Protection: IP 65 (SEN-860..; SEN-863..) IP 68 (SEN-865..)

Order Details Sensor (Example: SEN-8600 C315)

Electrical connection	Class	Model	Output	Measuring range*
DIN plug; IP 65	0.5	SEN-8600..	without = 4 - 20 mA /1 = 0 - 5 V /2 = 0 - 10 V	C315= -1 to 0 bar B025= 0 to 1 bar B035= 0 to 1.6 bar B045= 0 to 2.5 bar B055= 0 to 4 bar B065= 0 to 6 bar B075= 0 to 10 bar B085= 0 to 16 bar A095= 0 to 25 bar A105= 0 to 40 bar A115= 0 to 60 bar A125= 0 to 100 bar A135= 0 to 160 bar A145= 0 to 250 bar A155= 0 to 400 bar A165= 0 to 600 bar
M12 plug; IP 65	0.5	SEN-8630..		
Cable connection; IP 68	0.5	SEN-8650..		
DIN plug; IP 65	1.0	SEN-8601..		
M12 plug; IP 65	1.0	SEN-8631..		
Cable connection; IP 68	1.0	SEN-8651..		

*PSI on request



Pressure Sensor with Ceramic Sensor Element



measuring
•
monitoring
•
analysing

Option:
Pluggable
Sandwich
Display
Model AUF



- Gauge pressure
- Internal diaphragm
- Measuring range:
-1 ... 0 to 0 ... 600 bar
- Temperature (medium):
max. 85 °C
- Accuracy class:
0.5 or 1.0
- Material:
stainless steel and ceramic
- Connection: G 1/4 male



KOBOLD companies worldwide:

ARGENTINA, AUSTRIA, BELGIUM, CANADA, CHILE, CHINA, COLOMBIA,
CZECHIA, FRANCE, GERMANY, GREAT BRITAIN, INDIA, IRAN, INDONESIA,
ITALY, MALAYSIA, MEXICO, NETHERLANDS, PERU, POLAND, SINGAPORE,
SLOVAKIA, SPAIN, SWITZERLAND, THAILAND, USA, VENEZUELA, VIETNAM

KOBOLD Messring GmbH
Nordring 22-24
D-65719 Hofheim/Ts.
☎ +49(0)6192 299-0
Fax +49(0)6192 23398
E-Mail: info.de@kobold.com
Internet: www.kobold.com

Model:
SEN-87



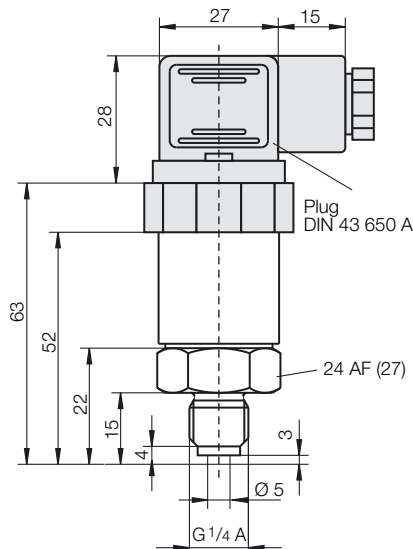
Description

KOBOLD Pressure sensors model SEN-87 are inexpensive pressure sensors with thick film ceramic pressure element. With their accuracy, reliability and compact design, they are perfectly suitable for OEM applications in medium to high quantities.

The materials and technology used make these pressure sensors insensitive to chemically aggressive media and mechanical load.

Particularly hydraulics systems with their high and fast pressure peaks are thus preferred applications.

Dimensions



Applications

- Plant engineering
- Environmental engineering
- Machine Building
- Cooling circuit

Technical Data

Technology: internal diaphragm
 Pressure type: gauge pressure
 Housing: stainless steel 1.4305
 Connection: G 1/4 male; stainless steel 1.4301 (NPT, UNF on request)
 Sensor element: ceramic (Al₂O₃)
 Measuring principle: thick film techn. (DMS)
 O-Ring: NBR
 Max. Temperature: storage: -40...+100 °C
 medium: -20...+85 °C
 ambient: -40...+85 °C
 Pressure limitation: < 60 bar: 2 x range
 > 60 bar: 1.5 x range
 Accuracy class: SEN-87*0: 0.5
 SEN-87*1: 1.0
 Repeatability: SEN-87*0: ≤ ±0.15 % (f.s.d.)
 SEN-87*1: ≤ ±0.3 % (f.s.d.)
 Characteristic deviation: SEN-87*0: ≤ ±0.3 % (f.s.d.)
 SEN-87*1: ≤ ±0.6 % (f.s.d.)
 Stability (annual): ≤ ±0.2 % of full scale rated conditions
 Electrical connection: plug DIN 43 650 / plug M12x1
 cable connection
 Power supply: 15...32 V_{DC}
 Output signal: 4 - 20 mA (2-wire), 0 - 5 V_{DC},
 0 - 10 V_{DC}
 Load (Ω): ≤ (U_B - 15V) / 0.02 A (for 4 - 20 mA)
 Response time: ≤ 1 ms (within 10 - 90 % of full scale)
 Temp. comp. range: -25...+85 °C
 Temp. drift: zero point:
 SEN-87*0: ≤ ±0.02 % K
 SEN-87*1: ≤ ±0.04 % K
 span:
 SEN-87*0: ≤ ±0.01 % K
 SEN-87*1: ≤ ±0.02 % K
 Protection: IP 65 (SEN-870..; SEN-873..)
 IP 68 (SEN-875..)

Order Details Sensor (Example: SEN-8700 C315)

Electrical connection	Class	Model	Output	Switching range*
DIN plug; IP 65	0.5	SEN-8700..	without = 4 - 20 mA /1 = 0 - 5 V /2 = 0 - 10 V	C315 = -1 to 0 bar B025 = 0 to 1 bar B035 = 0 to 1.6 bar B045 = 0 to 2.5 bar B055 = 0 to 4 bar B065 = 0 to 6 bar B075 = 0 to 10 bar B085 = 0 to 16 bar A095 = 0 to 25 bar A105 = 0 to 40 bar A115 = 0 to 60 bar A125 = 0 to 100 bar A135 = 0 to 160 bar A145 = 0 to 250 bar A155 = 0 to 400 bar A165 = 0 to 600 bar
M12 plug; IP 65	0.5	SEN-8730..		
Cable connection; IP 68	0.5	SEN-8750..		
DIN plug; IP 65	1.0	SEN-8701..		
M12 plug; IP 65	1.0	SEN-8731..		
Cable connection; IP 68	1.0	SEN-8751..		

*PSI on request